

## Assorted Hose Racks



- Constructed of light, but strong Aluminum, for long life, great looks and weight savings.
- Premium alloys used throughout, to make sure you receive the great Merritt product you expect.
- I-Beam foot for a robust product.
- Stocked in Merritt warehouses, for quick delivery. Contact your local dealer for order placement.
- Load tested to 1000lbs static load.
- Options available to make the Rack even more productive.
- Heavy-duty mounting kit available. Easy to install, yet durable and strong. (Must be installed to manufacturer directions).

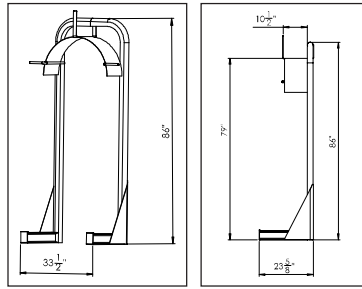
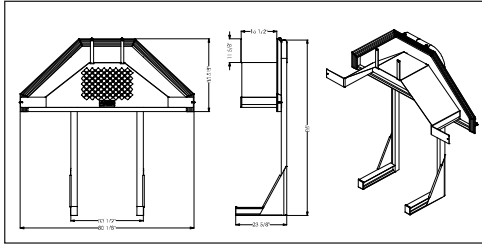
Models and/or Specifications Subject to Change Without Notice.



**HOSE RACK**

Custom Heights Available

PART#	DESCRIPTION & DIM: HxDxL	WT.
3513	Hose Rack: 86" x 23-3/8" x 33-1/2"	46
3683	Hose Rack: 46-3/4" x 23-3/8" x 33-1/2"	36
OPTION#	HEAVY DUTY DESCRIPTION & DIM: HxDxL	WT.
6313	Hose Rack: 86" x 23-1/2" x 80-1/2"	120



**HOSE RACK OPTIONS**

PART#	DESCRIPTION & DIM: HxDxL	WT.
3511	Base Tray: 2-3/4" x 20-1/2" x 30-1/4"	10
3512	Fitting Box: 13-1/2" x 8-1/2" x 33-1/2" (Specify height above frame)	20



#3512 Fitting Box

#3511 Base Tray

**HOSE RACK MOUNTING KIT**

PART#	DESCRIPTION & DIM: HxDxL	WT.
3502	Mounting Kit	23



#3502 Mounting Kit



Call the Merritt Customer Service Team with questions & clarification. 800.525.0107

Models and/or Specifications Subject to Change Without Notice.

## Hydraulic Tank



- Space saving design mounts between the feet of a Merritt Cab Rack.
- Constructed of durable lightweight aluminum.
- Long lasting great look.
- Fluid level sight gauge with thermometer and metal guard for protection.
- Three Standard Models 30,55 and 70 gallon.
- Every tank is pressure tested for leaks
- Two 2" ports in the bottom.
- 3/4" magnetic drain plug.
- Raised filler neck with O-ring sealed anodized cap for a cleaner system.
- 3/4" vent.
- 3/16" aluminum for strength.

Models and/or Specifications Subject to Change Without Notice.

52



CONSTRUCTED OF DURABLE LIGHTWEIGHT ALUMINUM

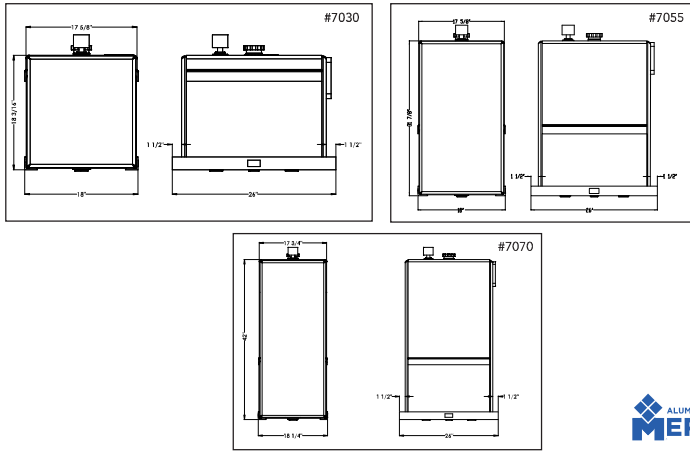
HYDRAULIC TANKS

PART#	DESCRIPTION	WT.
7030	Hydraulic Tank - 30-gallon Capacity	93
7055	Hydraulic Tank - 55-gallon Capacity	118
7070	Hydraulic Tank - 70-gallon Capacity	138

Complete Kits include: Reservoir Assembly, Breather Cap, Spring Mounting Kit, and Installation Plate for Cab Rack between the feet installation.

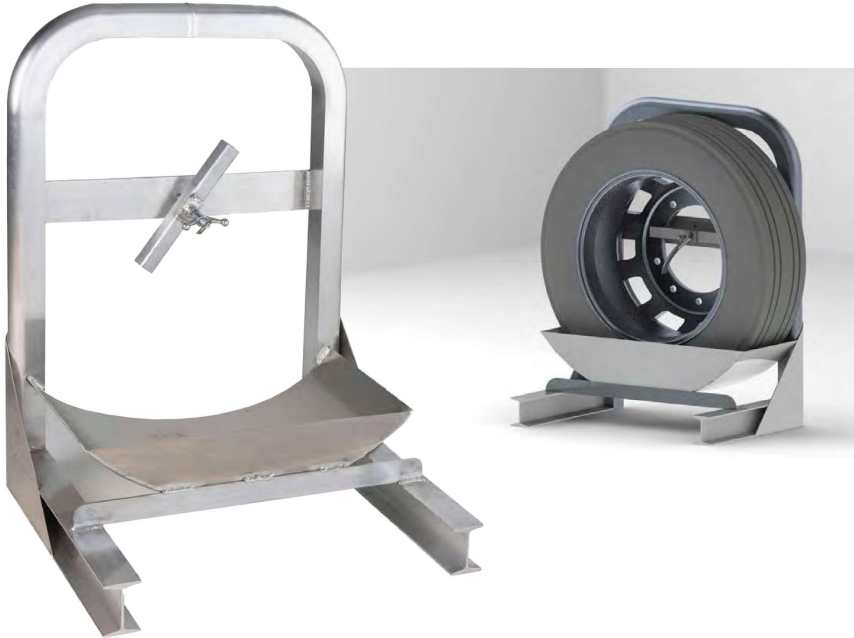
MOUNTING HARDWARE INCLUDED:

- NUT, 1/2" NF LOCK NYLON INSERT
- BOLT 1/2" x 3-1/2"
- BUMPER, 2" ODX1/2"IDX1/2TK NEO
- SPRING, COMP .576 ID X 1.665 LG BLK ZN
- WASHER, 1/2 FLAT USS ZINC
- TRAY, BASE MOUNT



Call the Merritt Customer Service Team with questions & clarification. 800.525.0107

## E-Z Spare Tire Carrier



- Strong, heavy duty design. Built from our time proven D-Tube and Cab Rack foot I-Beam. Both 24.5 and 22.5 tires will fit.
- Bright, smooth finish Aluminum throughout.
- Strong, light weight, with bright finish for lasting good looks.

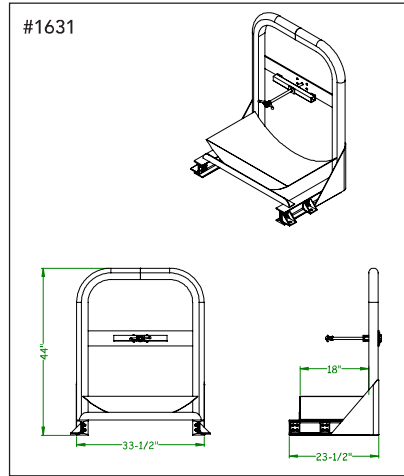
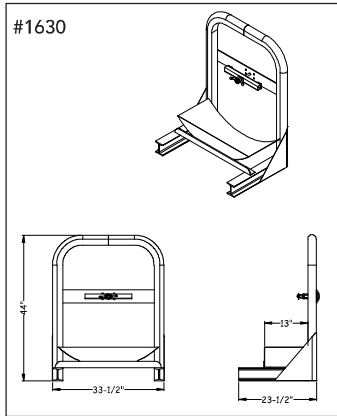
Models and/or Specifications Subject to Change Without Notice.





## E-Z SPARE TIRE CARRIER

PART#	DESCRIPTION	SIZE	WT.
1630	Spare Tire Carrier - 22.5 and 24.5	13" Tray	43
1631	Spare Tire Carrier - Super Single	18" Tray	55



## MOUNTING KITS

PART#	DESCRIPTION	WT.
3502	Mounting Kit for 1630	23
3539	Mounting Kit for 1630	17



#3502 Mounting Kit



#3539 Mounting Kit



Call the Merritt Customer Service Team with questions & clarification. 800.525.0107



## Custom Color Coatings

Merritt Aluminum Products uses Prismatic Powders. They offer the world's largest color selection of custom powder coatings with over 6500 colors and finishes to choose from.

- Customize to your fleet color
- Contact your Merritt Sales Rep for custom options
- 3-year powder coat warranty from date of possession

