



Subsidiary of Federal Signal Corporation

Interchangeable Truck Body System

STAINLESS STEEL DUMP BODY



FEATURES

- Superior Corrosion Protection
- Double Acting Tailgate
- Manual Front Release
- Bottom Painted Black
- Available in 11' and 14' lengths

FIND A DEALER IN YOUR AREA

SWITCHNGO.COM/DEALER



Manual Front Release



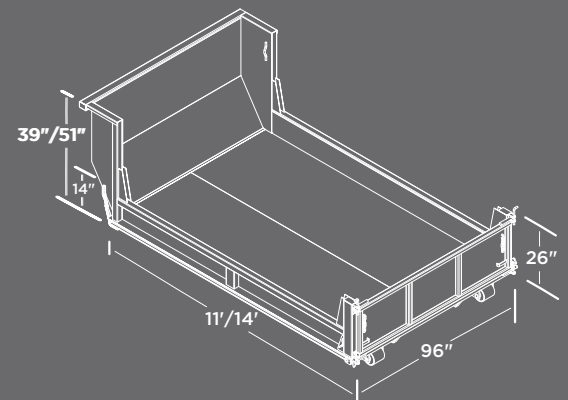
Double Acting Tailgate



Drop Down Sides (optional)

SPECIFICATIONS

	11'	14'
FLOOR	10 GA 304 STAINLESS STEEL	
SIDES/FRONT/TAILGATE	10 GA 304 STAINLESS STEEL	
TAILGATE HEIGHT	26"	
SIDE HEIGHT	14"	
BULKHEAD	INSIDE HEIGHT 39" OR 51"	
BOARD POCKETS	6" HIGH	
D-RINGS	1 ON EACH CORNER	
OPTIONS	DROP DOWN SIDES / 18" CAB SHIELD / COAL CHUTE / WELDED D-RINGS	
HOIST COMPATIBILITY	11'	14'



Specifications are subject to change without notice. For warranty information on this or any other Switch-N-Go® product please refer switchngo.com/warranty.