



Legendary Toughness
for Your Light Truck



WELCOME TO MERRITT

Merritt Aluminum Products Company is North America's leading manufacturer of aluminum accessories serving the heavy duty and light truck transportation industry. As a family-owned company with over 70 years of manufacturing experience, Merritt takes pride in producing and distributing highly desired and premium products that keep our drivers moving. We develop strong partnerships with our North American distribution partners through our excellent services, best-in-class lead times, in-house sales and customer service team, on-site engineering, and our own warehouse distribution channel.

Built into each Merritt product is legendary toughness - Merritt products are designed with durability for your working truck, yet premium enough for your show truck! Merritt Aluminum Products Company strives to be the easiest manufacturing company in the industry for you to work with. We are highly focused on continuous improvement and customer service.

Our core purpose is to build a great company, with great people, and great results while helping those we serve succeed through high quality, high performance products and services. Our people and values make the difference through INTEGRITY, TRUST, EXCELLENCE, RESPECT, and TEAMWORK.

We are excited to build a partnership with you and help you grow your operation. Please contact us with any questions or comments, and THANK YOU for being interested in Merritt Aluminum Products.

Easy to Use – Long Lasting Durability

Designed and built in Colorado, USA, these high-performance storage boxes are available in both single and double lids, with the option of a smooth or diamond plate aluminum finish. Easy to open and close from the ground, these boxes have a 90° lid configuration which allows full access to storage. Gas shocks for lid lift up, and Internal Track System (ITS) for accessories and tie down points. The features and benefits of these high quality boxes are endless.

- Distinctive features and style
- Never before seen in the industry
- Commercial grade aluminum
- 45° faceted corners for sleek appearance & strength
- Tool trays available - see accessories on page 19
- Extruded aluminum door frame for unmatched security
- Powder-coated finish for long life and durability
- Mounting hardware included

MID-SIZE TRUCK | DOUBLE LID

Standard, Double Lid Boxes

DIAMOND PLATE	PART NO.	SIZE: HxDxL	WT.
No Coating*	710213-111	14x20x60	76
Gloss Aluminum	710213-112	14x20x60	76
Gloss Black	710213-113	14x20x60	76
Satin Black	710213-114	14x20x60	76
White	710213-115	14x20x60	76
Textured Black	710213-116	14x20x60	76

SMOOTH	PART NO.	SIZE: HxDxL	WT.
Mill Finish*	710213-221	14x20x60	86
Gloss Aluminum	710213-222	14x20x60	86
Gloss Black	710213-223	14x20x60	86
Satin Black	710213-224	14x20x60	86
White	710213-225	14x20x60	86
Textured Black	710213-226	14x20x60	86
Polished Aluminum*	710213-229	14x20x60	86

Extra Deep (H), Double Lid Boxes

DIAMOND PLATE	PART NO.	SIZE: HxDxL	WT.
No Coating*	710212-111	16x20x60	79
Gloss Aluminum	710212-112	16x20x60	79
Gloss Black	710212-113	16x20x60	79
Satin Black	710212-114	16x20x60	79
White	710212-115	16x20x60	79
Textured Black	710212-116	16x20x60	79

SMOOTH	PART NO.	SIZE: HxDxL	WT.
Mill Finish*	710212-221	16x20x60	87
Gloss Aluminum	710212-222	16x20x60	87
Gloss Black	710212-223	16x20x60	87
Satin Black	710212-224	16x20x60	87
White	710212-225	16x20x60	87
Textured Black	710212-226	16x20x60	87
Polished Aluminum*	710212-229	16x20x60	87



Gloss Black

*No Powder Coat Applied.

MID-SIZE TRUCK | SINGLE LID

Standard, Single Lid Boxes

DIAMOND PLATE	PART NO.	SIZE: HxDxL	WT.
No Coating*	710113-111	14x20x60	74
Gloss Aluminum	710113-112	14x20x60	74
Gloss Black	710113-113	14x20x60	74
Satin Black	710113-114	14x20x60	74
White	710113-115	14x20x60	74
Textured Black	710113-116	14x20x60	74

SMOOTH	PART NO.	SIZE: HxDxL	WT.
Mill Finish*	710113-221	14x20x60	82
Gloss Aluminum	710113-222	14x20x60	82
Gloss Black	710113-223	14x20x60	82
Satin Black	710113-224	14x20x60	82
White	710113-225	14x20x60	82
Textured Black	710113-226	14x20x60	82
Polished Aluminum*	710113-229	14x20x60	82

Extra Deep (H), Single Lid Boxes

DIAMOND PLATE	PART NO.	SIZE: HxDxL	WT.
No Coating*	710112-111	16x20x60	77
Gloss Aluminum	710112-112	16x20x60	77
Gloss Black	710112-113	16x20x60	77
Satin Black	710112-114	16x20x60	77
White	710112-115	16x20x60	77
Textured Black	710112-116	16x20x60	77

SMOOTH	PART NO.	SIZE: HxDxL	WT.
Mill Finish*	710112-221	16x20x60	85
Gloss Aluminum	710112-222	16x20x60	85
Gloss Black	710112-223	16x20x60	85
Satin Black	710112-224	16x20x60	85
White	710112-225	16x20x60	85
Textured Black	710112-226	16x20x60	85
Polished Aluminum*	710112-229	16x20x60	85

Gloss Black



The gas shocks and mounting brackets have been attached to the extruded door frame to create a strong attachment point allowing unobstructed storage and access to all of your cargo.



SCAN ME

*No Powder Coat Applied.



Gloss Aluminum

*Patent Pending

FULL SIZE TRUCK | DOUBLE LID

Standard, Double Lid Boxes

DIAMOND PLATE	PART NO.	SIZE: HxDxL	WT.
No Coating*	710209-111	16x20x70	87
Gloss Aluminum	710209-112	16x20x70	87
Gloss Black	710209-113	16x20x70	87
Satin Black	710209-114	16x20x70	87
White	710209-115	16x20x70	87
Textured Black	710209-116	16x20x70	87

Extra Deep (H), Double Lid Boxes

DIAMOND PLATE	PART NO.	SIZE: HxDxL	WT.
No Coating*	710210-111	19x20x70	90
Gloss Aluminum	710210-112	19x20x70	90
Gloss Black	710210-113	19x20x70	90
Satin Black	710210-114	19x20x70	90
White	710210-115	19x20x70	90
Textured Black	710210-116	19x20x70	90

Extra Wide (D), Double Lid Boxes

DIAMOND PLATE	PART NO.	SIZE: HxDxL	WT.
No Coating*	710211-111	16x26x70	98
Gloss Aluminum	710211-112	16x26x70	98
Gloss Black	710211-113	16x26x70	98
Satin Black	710211-114	16x26x70	98
White	710211-115	16x26x70	98
Textured Black	710211-116	16x26x70	98

SMOOTH	PART NO.	SIZE: HxDxL	WT.
Mill Finish*	710209-221	16x20x70	96
Gloss Aluminum	710209-222	16x20x70	96
Gloss Black	710209-223	16x20x70	96
Satin Black	710209-224	16x20x70	96
White	710209-225	16x20x70	96
Textured Black	710209-226	16x20x70	96
Polished Aluminum*	710209-229	16x20x70	96

SMOOTH	PART NO.	SIZE: HxDxL	WT.
Mill Finish*	710210-221	19x20x70	100
Gloss Aluminum	710210-222	19x20x70	100
Gloss Black	710210-223	19x20x70	100
Satin Black	710210-224	19x20x70	100
White	710210-225	19x20x70	100
Textured Black	710210-226	19x20x70	100
Polished Aluminum*	710210-229	19x20x70	100

SMOOTH	PART NO.	SIZE: HxDxL	WT.
Mill Finish*	710211-221	16x26x70	108
Gloss Aluminum	710211-222	16x26x70	108
Gloss Black	710211-223	16x26x70	108
Satin Black	710211-224	16x26x70	108
White	710211-225	16x26x70	103
Textured Black	710211-226	16x26x70	108
Polished Aluminum*	710211-229	16x26x70	108

*No Powder Coat Applied.

FULL SIZE TRUCK | SINGLE LID

Standard, Single Lid Boxes

DIAMOND PLATE	PART NO.	SIZE: HxDxL	WT.
No Coating*	710109-111	16x20x70	85
Gloss Aluminum	710109-112	16x20x70	74
Gloss Black	710109-113	16x20x70	74
Satin Black	710109-114	16x20x70	74
White	710109-115	16x20x70	74
Textured Black	710109-116	16x20x70	74

Extra Deep (H), Single Lid Boxes

DIAMOND PLATE	PART NO.	SIZE: HxDxL	WT.
No Coating*	710110-111	19x20x70	87
Gloss Aluminum	710110-112	19x20x70	87
Gloss Black	710110-113	19x20x70	87
Satin Black	710110-114	19x20x70	87
White	710110-115	19x20x70	87
Textured Black	710110-116	19x20x70	87

Extra Wide (D), Single Lid Boxes

DIAMOND PLATE	PART NO.	SIZE: HxDxL	WT.
No Coating	710111-111	16x26x70	93
Gloss Aluminum	710111-112	16x26x70	93
Gloss Black	710111-113	16x26x70	93
Satin Black	710111-114	16x26x70	93
White	710111-115	16x26x70	93
Textured Black	710111-116	16x26x70	93

SMOOTH	PART NO.	SIZE: HxDxL	WT.
Mill Finish*	710109-221	16x20x70	94
Gloss Aluminum	710109-222	16x20x70	94
Gloss Black	710109-223	16x20x70	94
Satin Black	710109-224	16x20x70	94
White	710109-225	16x20x70	94
Textured Black	710109-226	16x20x70	94
Polished Aluminum*	710109-229	16x20x70	94

SMOOTH	PART NO.	SIZE: HxDxL	WT.
Mill Finish*	710110-221	19x20x70	96
Gloss Aluminum	710110-222	19x20x70	96
Gloss Black	710110-223	19x20x70	96
Satin Black	710110-224	19x20x70	96
White	710110-225	19x20x70	96
Textured Black	710110-226	19x20x70	96
Polished Aluminum*	710110-229	19x20x70	96

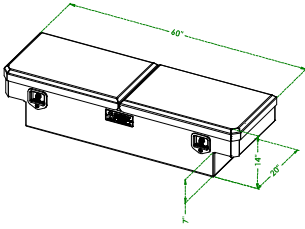
SMOOTH	PART NO.	SIZE: HxDxL	WT.
Mill Finish*	710111-221	16x26x70	103
Gloss Aluminum	710111-222	16x26x70	103
Gloss Black	710111-223	16x26x70	103
Satin Black	710111-224	16x26x70	103
White	710111-225	16x26x70	103
Textured Black	710111-226	16x26x70	103
Polished Aluminum*	710111-229	16x26x70	103

*No Powder Coat Applied.

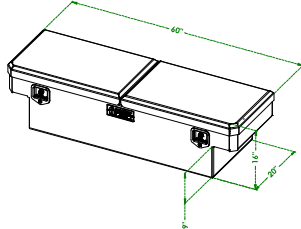
MEASUREMENTS | CROSSBODY BOXES

◆ Mid-Size Trucks

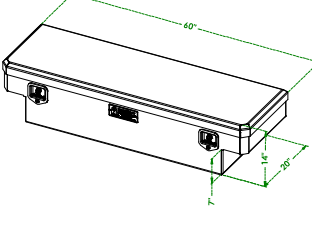
710213 MID SIZE TRUCK STANDARD 2 DOOR
14X20X40



710212 MID SIZE TRUCK EXTRA DEEP 2 DOOR
14X20X60

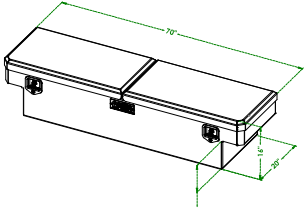


710113 MID SIZE TRUCK STANDARD SINGLE DOOR
14X20X40

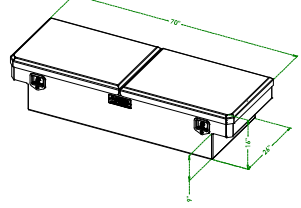


◆ Full-Size Trucks

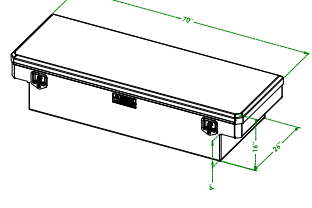
710209 FULL SIZE TRUCK STANDARD 2 DOOR
14X20X70



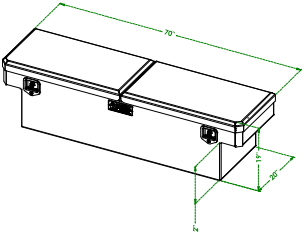
710211 FULL SIZE TRUCK EXTRA WIDE 2 DOOR
14X20X70



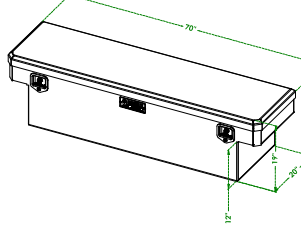
710111 FULL SIZE TRUCK EXTRA WIDE SINGLE DOOR
14X20X70



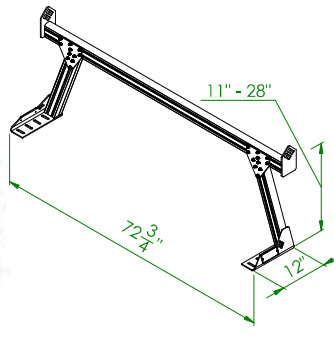
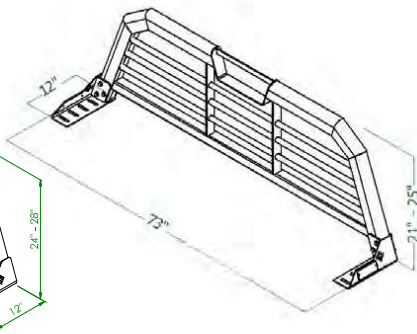
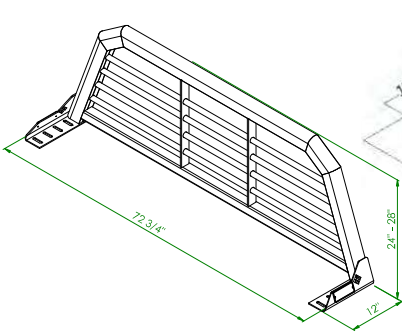
710210 FULL SIZE TRUCK EXTRA DEEP 2 DOOR
19X20X70



710110 FULL SIZE TRUCK EXTRA DEEP SINGLE DOOR
19X20X70



MEASUREMENTS | HEADACHE & UTILITY RACKS



Classic Style With Premium Durability

Compatible with Merritt's Equipment Bed Cover as well as the High Side and Low Side Boxes.

- Commercial grade aluminum
- Push Button Lid Latch System
- Lights and Trays available
- Lids open 70 degrees
- Faceted 45 degree corners
- Extruded aluminum framing in lid and body
- Powder coat finish
- Mounting hardware included



MID-SIZE TRUCK

DIAMOND PLATE	PART NO.	SIZE: HxDxL	WT.
No Coating*	710713-111	14x20x60	85
Gloss Aluminum	710713-112	14x20x60	85
Gloss Black	710713-113	14x20x60	85
Satin Black	710713-114	14x20x60	85
White	710713-115	14x20x60	85
Textured Black	710713-116	14x20x60	85
SMOOTH	PART NO.	SIZE: HxDxL	WT.
Mill Finish*	710713-221	14x20x60	92
Gloss Aluminum	710713-222	14x20x60	92
Gloss Black	710713-223	14x20x60	92
Satin Black	710713-224	14x20x60	92
White	710713-225	14x20x60	92
Textured Black	710713-226	14x20x60	92
Polished Aluminum*	710713-229	14x20x60	92

*No Powder Coat Applied.

FULL SIZE TRUCK

DIAMOND PLATE	PART NO.	SIZE: HxDxL	WT.
No Coating*	710709-111	16x20x70	85
Gloss Aluminum	710709-112	16x20x70	85
Gloss Black	710709-113	16x20x70	85
Satin Black	710709-114	16x20x70	85
White	710709-115	16x20x70	85
Textured Black	710709-116	16x20x70	85
SMOOTH	PART NO.	SIZE: HxDxL	WT.
Mill Finish*	710709-221	16x20x70	92
Gloss Aluminum	710709-222	16x20x70	92
Gloss Black	710709-223	16x20x70	92
Satin Black	710709-224	16x20x70	92
White	710709-225	16x20x70	92
Textured Black	710709-226	16x20x70	92
Polished Aluminum*	710709-229	16x20x70	92

*No Powder Coat Applied.

FULL SIZE TRUCK EXTRA WIDE

DIAMOND PLATE	PART NO.	SIZE: HxDxL	WT.
No Coating*	710711-111	16x26x70	85
Gloss Aluminum	710711-112	16x26x70	85
Gloss Black	710711-113	16x26x70	85
Satin Black	710711-114	16x26x70	85
White	710711-115	16x26x70	85
Textured Black	710711-116	16x26x70	85
SMOOTH	PART NO.	SIZE: HxDxL	WT.
Mill Finish*	710711-221	16x26x70	92
Gloss Aluminum	710711-222	16x26x70	92
Gloss Black	710711-223	16x26x70	92
Satin Black	710711-224	16x26x70	92
White	710711-225	16x26x70	92
Textured Black	710711-226	16x26x70	92
Polished Aluminum*	710711-229	16x26x70	92

*No Powder Coat Applied.

MID-SIZE TRUCK EXTRA DEEP

DIAMOND PLATE	PART NO.	SIZE: HxDxL	WT.
No Coating*	710712-111	16x20x60	85
Gloss Aluminum	710712-112	16x20x60	85
Gloss Black	710712-113	16x20x60	85
Satin Black	710712-114	16x20x60	85
White	710712-115	16x20x60	85
Textured Black	710712-116	16x20x60	85
SMOOTH	PART NO.	SIZE: HxDxL	WT.
Mill Finish*	710712-221	16x20x60	92
Gloss Aluminum	710712-222	16x20x60	92
Gloss Black	710712-223	16x20x60	92
Satin Black	710712-224	16x20x60	92
White	710712-225	16x20x60	92
Textured Black	710712-226	16x20x60	92
Polished Aluminum*	710712-229	16x20x60	92

*No Powder Coat Applied.

FULL SIZE TRUCK EXTRA DEEP

DIAMOND PLATE	PART NO.	SIZE: HxDxL	WT.
No Coating*	710710-111	19x20x70	85
Gloss Aluminum	710710-112	19x20x70	85
Gloss Black	710710-113	19x20x70	85
Satin Black	710710-114	19x20x70	85
White	710710-115	19x20x70	85
Textured Black	710710-116	19x20x70	85
SMOOTH	PART NO.	SIZE: HxDxL	WT.
Mill Finish*	710710-221	19x20x70	92
Gloss Aluminum	710710-222	19x20x70	92
Gloss Black	710710-223	19x20x70	92
Satin Black	710710-224	19x20x70	92
White	710710-225	19x20x70	92
Textured Black	710710-226	19x20x70	92
Polished Aluminum*	710710-229	19x20x70	92

*No Powder Coat Applied.





Satin Black

*Patent Pending

Mounts Inside Your Truck Bed

Merritt has designed this utility chest box for in-bed storage. It can be bolted to a truck bed or tied down using flush D-Ring mounts. They are manufactured for commercial use, providing legendary durability and functionality. Every Chest Box is built from commercial grade materials and the highest quality hardware providing years of trouble-free operation.

- Tamper-resistant locks with high-quality latch hardware
- Highest level of strength, durability, and functionality
- Extruded frame provides strong attachment point for the latch and gas shocks
- Lid and body extrusions pair up to protect and seal the surface
- Best weather resistant seal and security in the industry
- Cargo control D-Rings and removable tool tray available
- Smooth aluminum body & diamond plate lid



Satin Black



Satin Black

710415-124



RECTANGLE CHEST BOX

FITS MID-SIZE TRUCKS

FINISH STYLE	PART NO.	SIZE: HxDxL	WT.
No Coating*	710418-121	16x20x38	46
Gloss Aluminum	710418-122	16x20x38	46
Gloss Black	710418-123	16x20x38	46
Satin Black	710418-124	16x20x38	46
White	710418-125	16x20x38	46
Textured Black	710418-126	16x20x38	46

FITS FULL SIZE TRUCKS WITH 5.5' BED - FITS BETWEEN WHEEL WELL

FINISH STYLE	PART NO.	SIZE: HxDxL	WT.
No Coating*	710414-121	19x20x51	63
Gloss Aluminum	710414-122	19x20x51	63
Gloss Black	710414-123	19x20x51	63
Satin Black	710414-124	19x20x51	63
White	710414-125	19x20x51	63
Textured Black	710414-126	19x20x51	63

*No Powder Coat Applied.

TAPERED FRONT BOX

FITS MID-SIZED & FULL SIZE TRUCKS WITH 6.5' BED

FINISH STYLE	PART NO.	SIZE: HxDxL	WT.
No Coating*	710416-121	19x20x47	57
Gloss Aluminum	710416-122	19x20x47	57
Gloss Black	710416-123	19x20x47	57
Satin Black	710416-124	19x20x47	57
White	710416-125	19x20x47	57
Textured Black	710416-126	19x20x47	57

FITS FULL SIZE TRUCKS WITH 6.5' & 8' BED

FINISH STYLE	PART NO.	SIZE: HxDxL	WT.
No Coating*	710417-121	19x20x55	66
Gloss Aluminum	710417-122	19x20x55	66
Gloss Black	710417-123	19x20x55	66
Satin Black	710417-124	19x20x55	66
White	710417-125	19x20x55	66
Textured Black	710417-126	19x20x55	66

*No Powder Coat Applied.

TAPERED FRONT & END BOX

FITS FULL SIZE TRUCKS WITH 6.5' & 8' BED

FINISH STYLE	PART NO.	SIZE: HxDxL	WT.
No Coating*	710415-121	19x20x62	70
Gloss Aluminum	710415-122	19x20x62	70
Gloss Black	710415-123	19x20x62	70
Satin Black	710415-124	19x20x62	70
White	710415-125	19x20x62	70
Textured Black	710415-126	19x20x62	70

*No Powder Coat Applied.

Options for Chest Box - Also Listed on Page 19

FINISH STYLE	PART NO.	SIZE: HxDxL	WT.
TOOL TRAY	71003	19"	10
Aluminum No Coating w/ Mount Hardware			
INTERNAL LIGHT	71020	NA	1
LED Motion Activated Battery			
D-RING	7249	1 PAIR	2
Flush Mount Stainless Steel			

*Tool Trays Not Available for 38" Box



Fully Accessible For All Your Tool Storage Needs With Protection From The Elements



710127-224
(2) 7330 Shelves Shown Here



710126-224

- Built with a compression seal
- Heavy duty shocks keep the lid closed and assist when opening
- Clamshell lid for easy and full access, opens 90 degrees
- 2 Locking T-Handle Latches
- Lights and Shelving available
- Commercial grade aluminum
- Powder coat finish
- Mounting hardware included
- 4 sizes to choose from

DIAMOND PLATE ALUMINUM	PART NO.	SIZE: HxDxL
No Coating*	710126-121	16x12x48
Gloss Aluminum	710126-122	16x12x48
Gloss Black	710126-123	16x12x48
Satin Black	710126-124	16x12x48
White	710126-125	16x12x48
Textured Black	710126-126	16x12x48
No Coating*	710127-121	16x12x60
Gloss Aluminum	710127-122	16x12x60
Gloss Black	710127-123	16x12x60
Satin Black	710127-124	16x12x60
Plate White	710127-125	16x12x60
Plate Textured Black	710127-126	16x12x60
No Coating*	710128-121	16x12x72
Gloss Aluminum	710128-122	16x12x72
Gloss Black	710128-123	16x12x72
Satin Black	710128-124	16x12x72
White	710128-125	16x12x72
Textured Black	710128-126	16x12x72
No Coating	710129-121	16x12x90
Gloss Aluminum	710129-122	16x12x90
Gloss Black	710129-123	16x12x90
Satin Black	710129-124	16x12x90
White	710129-125	16x12x90
Textured Black	710129-126	16x12x90

*No Powder Coat Applied.

Accessory

FINISH STYLE	PART NO.	SIZE: HxD
Shelf Unit - 1 each	7330	26x4
Light - LED Motion Activated - Battery	71020	-

SMOOTH ALUMINUM	PART NO.	SIZE: HxDxL
Mill Finish*	710126-221	16x12x48
Gloss Aluminum	710126-222	16x12x48
Gloss Black	710126-223	16x12x48
Satin Black	710126-224	16x12x48
Smooth White	710126-225	16x12x48
Textured Black	710126-226	16x12x48
Polished Aluminum*	710126-229	16x12x48
Mill Finish*	710127-221	16x12x60
Gloss Aluminum	710127-222	16x12x60
Gloss Black	710127-223	16x12x60
Satin Black	710127-224	16x12x60
Smooth White	710127-225	16x12x60
Textured Black	710127-226	16x12x60
Polished Aluminum*	710127-229	16x12x60
Mill Finish*	710128-221	16x12x72
Gloss Aluminum	710128-222	16x12x72
Gloss Black	710128-223	16x12x72
Satin Black	710128-224	16x12x72
White	710128-225	16x12x72
Textured Black	710128-226	16x12x72
Polished Aluminum*	710128-229	16x12x72
Mill Finish*	710129-221	16x12x90
Gloss Aluminum	710129-222	16x12x90
Gloss Black	710129-223	16x12x90
Satin Black	710129-224	16x12x90
White	710129-225	16x12x90
Textured Black	710129-226	16x12x90
Polished Aluminum*	710129-229	16x12x90

*No Powder Coat Applied.



Textured Black

*Patent Pending

Low Profile With A Sleek And Distinguished Look

- Commercial grade aluminum
- Faceted 45 degree corners creating added strength
- Automotive Weather Seal to keep equipment dry
- Anti-theft extruded aluminum framing in body & lid
- Compatible with Merritt's Equipment Bed Cover
- Heavy Duty Gas Shocks
- Single Latch for Easy In - Easy Out
- Lights available
- Lockable with 2 keys
- 5 sizes to choose from
- Powder coat finish
- Mounting hardware included
- Lid opens 90 degrees



Satin Black

710521-114



Satin Black

DIAMOND PLATE ALUMINUM	PART NO.	SIZE: HxDxL
No Coating*	710521-111	18x16x36
Gloss Aluminum	710521-112	18x16x36
Gloss Black	710521-113	18x16x36
Satin Black	710521-114	18x16x36
White	710521-115	18x16x36
Textured Black	710521-116	18x16x36
No Coating*	710522-111	18x16x48
Gloss Aluminum	710522-112	18x16x48
Gloss Black	710522-113	18x16x48
Satin Black	710522-114	18x16x48
White	710522-115	18x16x48
Textured Black	710522-116	18x16x48
No Coating*	710523-111	18x16x60
Gloss Aluminum	710523-112	18x16x60
Gloss Black	710523-113	18x16x60
Satin Black	710523-114	18x16x60
White	710523-115	18x16x60
Textured Black	710523-116	18x16x60
No Coating*	710524-111	18x16x72
Gloss Aluminum	710524-112	18x16x72
Gloss Black	710524-113	18x16x72
Satin Black	710524-114	18x16x72
White	710524-115	18x16x72
Textured Black	710524-116	18x16x72
No Coating*	710525-111	18x16x90
Gloss Aluminum	710525-112	18x16x90
Gloss Black	710525-113	18x16x90
Satin Black	710525-114	18x16x90
White	710525-115	18x16x90
Textured Black	710525-116	18x16x90

*No Powder Coat Applied.

SMOOTH ALUMINUM	PART NO.	SIZE: HxDxL
Mill Finish*	710521-221	18x16x36
Gloss Aluminum	710521-222	18x16x36
Gloss Black	710521-223	18x16x36
Satin Black	710521-224	18x16x36
White	710521-225	18x16x36
Textured Black	710521-226	18x16x36
Polished Aluminum*	710521-229	18x16x36
Mill Finish*	710522-221	18x16x48
Gloss Aluminum	710522-222	18x16x48
Gloss Black	710522-223	18x16x48
Satin Black	710522-224	18x16x48
White	710522-225	18x16x48
Textured Black	710522-226	18x16x48
Polished Aluminum*	710522-229	18x16x48
Mill Finish*	710523-221	18x16x60
Gloss Aluminum	710523-222	18x16x60
Gloss Black	710523-223	18x16x60
Satin Black	710523-224	18x16x60
White	710523-225	18x16x60
Textured Black	710523-226	18x16x60
Polished Aluminum*	710523-229	18x16x60
Mill Finish*	710524-221	18x16x72
Gloss Aluminum	710524-222	18x16x72
Gloss Black	710524-223	18x16x72
Satin Black	710524-224	18x16x72
White	710524-225	18x16x72
Textured Black	710524-226	18x16x72
Polished Aluminum*	710524-229	18x16x72
Mill Finish*	710525-221	18x16x90
Gloss Aluminum	710525-222	18x16x90
Gloss Black	710525-223	18x16x90
Satin Black	710525-224	18x16x90
White	710525-225	18x16x90
Textured Black	710525-226	18x16x90
Polished Aluminum*	710525-229	18x16x90

*No Powder Coat Applied.

Easy to Mount – Fits All Full-Size Trucks

Merritt's Headache Racks are designed for function and durability while providing a distinctive look. Each headache rack has a double channel designed into the frame to support multiple lighting and load securing accessories. The channel also serves to hide and protect a wiring harness.



Textured Black

- Built from commercial grade aluminum for strength and durability
- Features a lightweight extruded frame for maximum visibility
- Easy mounting and flexibility for multiple accessories
- Rear channeling hides & protects wiring harness for light options
- 4 Mounting bolts included
- Bolt on feet for improved strength & ships in a flat box
- Offered in 6 standard colors
- Pair with your Merritt Crossbody or Gull Wing Box

HORIZONTAL BAR RACKS

2017-2023: GM 1500, All Models

CAB HIGH	PART NO.	SIZE: HxDxL	WT.
No Coating*	720204-131	21x73x49	22
Gloss Aluminum	720204-132	21x73x49	22
Gloss Black	720204-133	21x73x49	22
Satin Black	720204-134	21x73x49	22
White	720204-135	21x73x49	22
Textured Black	720204-136	21x73x49	22

2015-2020: Ford F-150
2020: Ford Raptor
2007-2023: GM 2500, 3500, All Models

CAB HIGH	PART NO.	SIZE: HxDxL	WT.
No Coating*	720205-131	22x73x48	24
Gloss Aluminum	720205-132	22x73x48	24
Gloss Black	720205-133	22x73x48	24
Satin Black	720205-134	22x73x48	24
White	720205-135	22x73x48	24
Textured Black	720205-136	22x73x48	24

2009-2023: RAM 2500, 3500
2009-2013: RAM 1500
2014-2018: RAM 1500 HD
2019-2022: RAM 1500 Classic
2021-2023: Ford F-150
2022-2023: Ford Raptor, Lightening

CAB HIGH	PART NO.	SIZE: HxDxL	WT.
No Coating*	720206-131	23x73x47	26
Gloss Aluminum	720206-132	23x73x47	26
Gloss Black	720206-133	23x73x47	26
Satin Black	720206-134	23x73x47	26
White	720206-135	23x73x47	26
Textured Black	720206-136	23x73x47	26

ABOVE CAB HIGH	PART NO.	SIZE: HxDxL	WT.
No Coating*	720407-131	24x73x47	27
Gloss Aluminum	720407-132	24x73x47	27
Gloss Black	720407-133	24x73x47	27
Satin Black	720407-134	24x73x47	27
White	720407-135	24x73x47	27
Textured Black	720407-136	24x73x47	27

ABOVE CAB HIGH	PART NO.	SIZE: HxDxL	WT.
No Coating*	720408-131	25x73x46	30
Gloss Aluminum	720408-132	25x73x46	30
Gloss Black	720408-133	25x73x46	30
Satin Black	720408-134	25x73x46	30
White	720408-135	25x73x46	30
Textured Black	720408-136	25x73x46	30

ABOVE CAB HIGH	PART NO.	SIZE: HxDxL	WT.
No Coating*	720409-131	26x73x45	30
Gloss Aluminum	720409-132	26x73x45	30
Gloss Black	720409-133	26x73x45	30
Satin Black	720409-134	26x73x45	30
White	720409-135	26x73x45	30
Textured Black	720409-136	26x73x45	30

2017-2022: Ford Super Duty

CAB HIGH	PART NO.	SIZE: HxDxL	WT.
No Coating*	720207-131	24x73x47	27
Gloss Aluminum	720207-132	24x73x47	27
Gloss Black	720207-133	24x73x47	27
Satin Black	720207-134	24x73x47	27
White	720207-135	24x73x47	27
Textured Black	720207-136	24x73x47	27

CAB HIGH	PART NO.	SIZE: HxDxL	WT.
No Coating*	720208-131	25x73x46	29
Gloss Aluminum	720208-132	25x73x46	29
Gloss Black	720208-133	25x73x46	29
Satin Black	720208-134	25x73x46	29
White	720208-135	25x73x46	29
Textured Black	720208-136	25x73x46	29

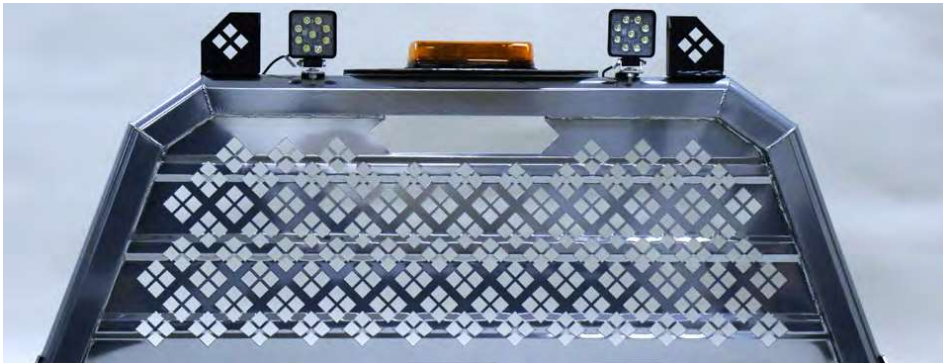
ABOVE CAB HIGH	PART NO.	SIZE: HxDxL	WT.
No Coating*	720410-131	27x73x45	31
Gloss Aluminum	720410-132	27x73x45	31
Gloss Black	720410-133	27x73x45	31
Satin Black	720410-134	27x73x45	31
White	720410-135	27x73x45	31
Textured Black	720410-136	27x73x45	31

ABOVE CAB HIGH	PART NO.	SIZE: HxDxL	WT.
No Coating*	720411-131	28x73x44	32
Gloss Aluminum	720411-132	28x73x44	32
Gloss Black	720411-133	28x73x44	32
Satin Black	720411-134	28x73x44	32
White	720411-135	28x73x44	32
Textured Black	720411-136	28x73x44	32

WARNING: Headache Racks & Utility Racks are not safety devices. If you do not have the proper equipment or skill to install the Headache Rack or Utility Rack, take your vehicle to an authorized dealer. Weight carried on a Headache Rack or Utility Rack will reduce the stability of your vehicle and increase the vehicle's probability to overturn. To determine the weight that can be carried on your Headache Rack safely, or without damaging the bed walls, consult your vehicle manufacturer.

*No Powder Coat Applied.

NOTE: If your truck is older than 2017, refer to the actual cab measurements when ordering. Headache Racks do not work with RAM Box.



Gloss Aluminum

*Patent Pending

PUNCHED PANEL RACKS

2015-2020: Ford F-150
 2020: Ford Raptor
 2007-2023: GM 2500, 3500, All Models

2009-2023: RAM 2500, 3500
 2009-2013: RAM 1500
 2014-2018: RAM 1500 HD
 2019-2022: RAM 1500 Classic
 2021-2023: Ford F-150
 2022-2023: Ford Raptor, Lightening

2017-2023: GM 1500, All Models

CAB HIGH	PART NO.	SIZE: HxDxL	WT.
No Coating*	720204-231	21x73x49	24
Gloss Aluminum	720204-232	21x73x49	24
Gloss Black	720204-233	21x73x49	24
Satin Black	720204-234	21x73x49	24
White	720204-235	21x73x49	24
Textured Black	720204-236	21x73x49	24

CAB HIGH	PART NO.	SIZE: HxDxL	WT.
No Coating*	720205-231	22x73x48	26
Gloss Aluminum	720205-232	22x73x48	26
Gloss Black	720205-233	22x73x48	26
Satin Black	720205-234	22x73x48	26
White	720205-235	22x73x48	26
Textured Black	720205-236	22x73x48	26

CAB HIGH	PART NO.	SIZE: HxDxL	WT.
No Coating*	720206-231	23x73x47	28
Gloss Aluminum	720206-232	23x73x47	28
Gloss Black	720206-233	23x73x47	28
Satin Black	720206-234	23x73x47	28
White	720206-235	23x73x47	28
Textured Black	720206-236	23x73x47	28

ABOVE CAB HIGH	PART NO.	SIZE: HxDxL	WT.
No Coating*	720407-231	24x73x47	29
Gloss Aluminum	720407-232	24x73x47	29
Gloss Black	720407-233	24x73x47	29
Satin Black	720407-234	24x73x47	29
White	720407-235	24x73x47	29
Textured Black	720407-236	24x73x47	29

ABOVE CAB HIGH	PART NO.	SIZE: HxDxL	WT.
No Coating*	720408-231	25x73x46	31
Gloss Aluminum	720408-232	25x73x46	31
Gloss Black	720408-233	25x73x46	31
Satin Black	720408-234	25x73x46	31
White	720408-235	25x73x46	31
Textured Black	720408-236	25x73x46	31

ABOVE CAB HIGH	PART NO.	SIZE: HxDxL	WT.
No Coating*	720409-231	26x73x45	32
Gloss Aluminum	720409-232	26x73x45	32
Gloss Black	720409-233	26x73x45	32
Satin Black	720409-234	26x73x45	32
White	720409-235	26x73x45	32
Textured Black	720409-236	26x73x45	32

2017-2022: Ford Super Duty

CAB HIGH	PART NO.	SIZE: HxDxL	WT.
No Coating*	720207-231	24x73x47	29
Gloss Aluminum	720207-232	24x73x47	29
Gloss Black	720207-233	24x73x47	29
Satin Black	720207-234	24x73x47	29
White	720207-235	24x73x47	29
Textured Black	720207-236	24x73x47	29

CAB HIGH	PART NO.	SIZE: HxDxL	WT.
No Coating*	720208-231	25x73x46	31
Gloss Aluminum	720208-232	25x73x46	31
Gloss Black	720208-233	25x73x46	31
Satin Black	720208-234	25x73x46	31
White	720208-235	25x73x46	31
Textured Black	720208-236	25x73x46	31



ABOVE CAB HIGH	PART NO.	SIZE: HxDxL	WT.
No Coating*	720410-231	27x73x45	33
Gloss Aluminum	720410-232	27x73x45	33
Gloss Black	720410-233	27x73x45	33
Satin Black	720410-234	27x73x45	33
White	720410-235	27x73x45	33
Textured Black	720410-236	27x73x45	33

ABOVE CAB HIGH	PART NO.	SIZE: HxDxL	WT.
No Coating*	720411-231	28x73x44	34
Gloss Aluminum	720411-232	28x73x44	34
Gloss Black	720411-233	28x73x44	34
Satin Black	720411-234	28x73x44	34
White	720411-235	28x73x44	34
Textured Black	720411-236	28x73x44	34

WARNING: Headache Racks & Utility Racks are not safety devices. If you do not have the proper equipment or skill to install the Headache Rack or Utility Rack, take your vehicle to an authorized dealer. Weight carried on a Headache Rack or Utility Rack will reduce the stability of your vehicle and increase the vehicle's probability of overturn. To determine the weight that can be carried on your Headache Rack safely, or without damaging the bed walls, consult your vehicle manufacturer.

*No Powder Coat Applied.

NOTE: If your truck is older than 2017, refer to the actual cab measurements when ordering. Headache Racks do not work with RAM Box.



Gloss Black

*Patent Pending

For Work And Play

Whether you have a commercial application or a sport enthusiast application, this product will meet your needs. Designed for strength and durability, the Merritt Utility Racks give you the flexibility you're looking for. The D-tube shape provides a unique and aerodynamic appearance. The rear utility rack works best in conjunction with the Merritt's Above Cab Headache Rack.

- Available in multiple heights and adjustable widths
- Easy to assemble and install
- Fits all full-size pickup trucks
- Upright legs bolt or clamp to bed rail
- Mounting hardware included
- Accessories available for lighting & load securement
- Laser cut tie-down points
- Reverseable - can be used on front or rear bed

Rear Utility Rack



Gloss Black

Long Horn Extension Bar



Textured Black

Optional Accessories added with Merritt's Channel System. See page 19.

WARNING: Headache Racks & Utility Racks are not safety devices. If you do not have the proper equipment or skill to install the Headache Rack or Utility Rack, take your vehicle to an authorized dealer. Weight carried on a Headache Rack or Utility Rack will reduce the stability of your vehicle and increase the vehicle's probability to overturn. To determine the weight that can be carried on your Headache Rack safely, or without damaging the bed walls, consult your vehicle manufacturer.

MERRITT UTILITY RACKS

Listed by height & dimension

FINISH STYLE	PART NO.	SIZE: HxL	WT.
No Coating*	740102-011	11x72	15
Gloss Aluminum	740102-012	11x72	15
Gloss Black	740102-013	11x72	15
Satin Black	740102-014	11x72	15
White	740102-015	11x72	15
Textured Black	740102-016	11x72	15
No Coating*	740105-011	14x72	18
Gloss Aluminum	740105-012	14x72	18
Gloss Black	740105-013	14x72	18
Satin Black	740105-014	14x72	18
White	740105-015	14x72	18
Textured Black	740105-016	14x72	18
No Coating*	740108-011	17x72	20
Gloss Aluminum	740108-012	17x72	20
Gloss Black	740108-013	17x72	20
Satin Black	740108-014	17x72	20
White	740108-015	17x72	20
Textured Black	740108-016	17x72	20
No Coating*	740111-011	20x72	22
Gloss Aluminum	740111-012	20x72	22
Gloss Black	740111-013	20x72	22
Satin Black	740111-014	20x72	22
White	740111-015	20x72	22
Textured Black	740111-016	20x72	22
No Coating*	740114-011	23x72	23
Gloss Aluminum	740114-012	23x72	23
Gloss Black	740114-013	23x72	23
Satin Black	740114-014	23x72	23
White	740114-015	23x72	23
Textured Black	740114-016	23x72	23

*No Powder Coat Applied.

Listed by truck model - when pairing with your Above Cab Merritt Headache Rack or Long Horn Addition

2017-2023: GM 1500, All Models

FINISH STYLE	PART NO.	SIZE: HxL	WT.
No Coating*	740115-011	24x72	24
Gloss Aluminum	740115-012	24x72	24
Gloss Black	740115-013	24x72	24
Satin Black	740115-014	24x72	24
White	740115-015	24x72	24
Textured Black	740115-016	24x72	24

2015-2020: Ford F-150
 2020: Ford Raptor
 2007-2023: GM 2500, 3500, All Models

FINISH STYLE	PART NO.	SIZE: HxL	WT.
No Coating*	740116-011	25x72	25
Gloss Aluminum	740116-012	25x72	25
Gloss Black	740116-013	25x72	25
Satin Black	740116-014	25x72	25
White	740116-015	25x72	25
Textured Black	740116-016	25x72	25

2009-2023: RAM 2500, 3500
 2009-2013: RAM 1500
 2014-2018: RAM 1500 HD
 2019-2022: RAM 1500 Classic
 2021-2023: Ford F-150
 2022-2023: Ford Raptor, Lightening

FINISH STYLE	PART NO.	SIZE: HxL	WT.
No Coating*	740117-011	26x72	26
Gloss Aluminum	740117-012	26x72	26
Gloss Black	740117-013	26x72	26
Satin Black	740117-014	26x72	26
White	740117-015	26x72	26
Textured Black	740117-016	26x72	26

FINISH STYLE	PART NO.	SIZE: HxL	WT.
No Coating*	740118-011	27x72	27
Gloss Aluminum	740118-012	27x72	27
Gloss Black	740118-013	27x72	27
Satin Black	740118-014	27x72	27
White	740118-015	27x72	27
Textured Black	740118-016	27x72	27

2017-2022: Ford Super Duty

FINISH STYLE	PART NO.	SIZE: HxL	WT.
No Coating*	740119-011	28x72	28
Gloss Aluminum	740119-012	28x72	28
Gloss Black	740119-013	28x72	28
Satin Black	740119-014	28x72	28
White	740119-015	28x72	28
Textured Black	740119-016	28x72	28

Utility Rack Options

LONG HORN BAR EXTENSION	PART NO.
Gloss Aluminum	7261-2
Gloss Black	7261-3
Satin Black	7261-4
White	7261-5
Textured Black	7261-6

HORN STOPS, BRACKET - PAIR	PART NO.
Gloss Aluminum - pair	7260-2
Gloss Black - pair	7260-3
Satin Black - pair	7260-4
White - pair	7260-5
Textured Black - pair	7260-6

NOTE: If your truck is older than 2017, refer to the actual cab measurements when ordering.



Custom Color Coatings

Merritt Aluminum Products uses Prismatic Powders. They offer the world's largest color selection of custom powder coatings with over 6500 colors and finishes to choose from.

- Customize to your fleet color
- Contact your Merritt Sales Rep for custom options
- 3-year powder coat warranty from date of possession



Contact Merritt's Sales Team

800.525.0107





Textured Black

Merritt's Aluminum Modular Ladder Rack

Expand your storage capabilities with the superior load-bearing ability and durability of a Merritt Ladder Rack. It's easy to install with simple instructions. Available in 3 adjustable models to fit all full-size pickup trucks.

- Available in 3 sizes
- Unique aesthetic and aerodynamic design
- Laser-cut tie down points
- Two rear-mounted grab handles
- Removable rear cross member- 55" of loading area
- Modular system expands for desired lengths
- Ships flat!
- Weight capacity of 1000 lbs.
- Light-weight aluminum makes it rust proof
- Premium powder coat finish
- 1/8" aluminum extruded framing
- Easy to install – instructions included
- Mounting bolts included
- Limited Lifetime Warranty

12 ft. & 12.5 ft. Rack - Textured Black

TRUCK BED LENGTH	RACK L x W	PART NO.
5.5' - 8.5'	12' x 73"	770114-106
6' - 8.5'	12'8" x 73"	770123-106

14 ft. Rack - Textured Black

TRUCK BED LENGTH	RACK L x W	PART NO.
8' - 8.5'	14'3" x 73"	770124-106



Textured Black



*Patent Pending



Scan for product information.



*Patent Pending

Modern Design – Sleek Appearance

The double channel track designed into the D-tube allows the user to easily install lighting options and mounting brackets in the desired location and orientation. We proudly offer ECCO®, Innotec® and Optronics® lighting with color matched mounting brackets to fit most lighting requirements.

- The Headache Rack channel system conceals and protects wiring harness
- Harnesses for stop, turn, and tail light applications
- Easy to install LED work lights and warning mini light bars
- Slim-line red LED for stop, turn, and tail lights
- Meets IP67 rating
- Super bright – extremely durable



7220 D-Rings



7249 D-Rings



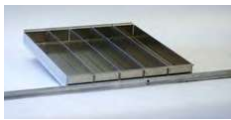
7254 ECCO Beacon Light Bar Hazard Lights

7254-102 Beacon Light Bar Bracket
2-3/8" x 8-1/8"

7260-6 Cargo Horn Stops

7255-2 Work Light with Bracket
2-3/8" x 3-11/16"7252-2 Stop Turn Tail Light
with Bracket 3" x 12-5/8"

7250 Clamp Mounting Kit



71001 Tray



7251 Pocket Plate Mounting Kit

7253-2 Puck Light
7253-102 Puck Light Bracket Kit
2-7/16" x 4-3/16"

LIGHTING ACCESSORIES

Light Bracket Options (All light brackets color match the Headache & Utility Racks)

STOP/TURN/TAIL LIGHTS	PART NO.
Lights & Bracket, Gloss Aluminum	7252-2
Lights & Bracket, Gloss Black	7252-3
Lights & Bracket, Satin Black	7252-4
Lights & Bracket, White	7252-5
Lights & Bracket, Textured Black	7252-6
Bracket Kit Only, Gloss Aluminum	7252-102
Bracket Kit Only, Gloss Black	7252-103
Bracket Kit Only, Satin Black	7252-104
Bracket Kit Only, White	7252-105
Bracket Kit Only, Textured Black	7252-106
LOAD LIGHT BRACKET ONLY - UNIVERSAL FIT	PART NO.
Gloss Aluminum	7258-2
Gloss Black	7258-3
Satin Black	7258-4
White	7258-5
Textured Black	7258-6

PUCK LIGHT & BRACKET	PART NO.
Puck Light w/ Bracket, Gloss Alum	7253-2
Puck Light w/ Bracket, Gloss Black	7253-3
Puck Light w/ Bracket, Satin Black	7253-4
Puck Light w/ Bracket, White	7253-5
Puck Light w/ Bracket, Textured Black	7253-6
Bracket Kit Only, Gloss Aluminum	7253-102
Bracket Kit Only, Gloss Black	7253-103
Bracket Kit Only, Satin Black	7253-104
Bracket Kit Only, White	7253-105
Bracket Kit Only, Textured Black	7253-106

BEACON BRACKET & LIGHT	PART NO.
Beacon w/ Bracket, Gloss Aluminum	7254-2
Beacon w/ Bracket, Gloss Black	7254-3
Beacon w/ Bracket, Satin Black	7254-4
Beacon w/ Bracket, White	7254-5
Beacon w/ Bracket, Textured Black	7254-6
Bracket Kit Only, Gloss Aluminum	7254-102
Bracket Kit Only, Gloss Black	7254-103
Bracket Kit Only, Satin Black	7254-104
Bracket Kit Only, White	7254-105
Bracket Kit Only, Textured Black	7254-106

LARGE ROUND BEACON W/BRACKET	PART NO.
Gloss Aluminum	7257-2
Gloss Black	7257-3
Satin Black	7257-4
White	7257-5
Textured Black	7257-6

LED OVER BAR WORK LIGHT	PART NO.
Work Light w/ Bracket, Gloss Alum	7255-2
Work Light w/ Bracket, Gloss Black	7255-3
Work Light w/ Bracket, Satin Black	7255-4
Work Light w/ Bracket, White	7255-5
Work Light w/ Bracket, Textured Black	7255-6
Bracket Kit Only, Gloss Aluminum	7255-102
Bracket Kit Only, Gloss Black	7255-103
Bracket Kit Only, Satin Black	7255-104
Bracket Kit Only, White	7255-105
Bracket Kit Only, Textured Black	7255-106

UNDER BAR WORK LIGHT	PART NO.
Tube Mount w/ Bracket, Gloss Alum	7256-2
Tube Mount w/ Bracket, Gloss Black	7256-3
Tube Mount w/ Bracket, Satin Black	7256-4
Tube Mount w/ Bracket, White	7256-5
Tube Mount w/ Bracket, Textured Black	7256-6
Bracket Kit Only, Gloss Aluminum	7256-102
Bracket Kit Only, Gloss Black	7256-103
Bracket Kit Only, Satin Black	7256-104
Bracket Kit Only, White	7256-105
Bracket Kit Only, Textured Black	7256-106

Tool Box Options

Trays Not for Double Lid Box

TOOL BOX TRAYS	PART NO.
Full-Size Box, Standard - 20" Tray	71000
Full-Size Box, Extra Wide - 26" Tray	71001
Mid-Size Box - 20" Tray	71002
Utility Box - 19" Tray	71003
Light - LED Motion Activated - Battery	71020

Fits Double Lid Box

TOOL POCKETS	PART NO.
Tool Pocket - 20"	71010
Tool Pocket - 26"	71011

Headache Rack & Utility Rack Options

PRODUCT DESCRIPTION	PART NO.	WT.
D-Ring Load Securement Stainless Kit - 6 pc	7220	2
Clamp Mounting Kit - pair	7250	2
Pocket Plate Mounting Kit - pair	7251	2
USCAR 7-way Round Connector Wire Harness - each	4390	4
Ford SD Modular Connector Wire Harness - each	4391	4
D-Ring - Flush Mount Utility Box Securement	7249	2
T-Bolts and Nuts - pack of 25	7225	2





Merritt Sales Team

*Coming
Soon!*

Textured Black

Merritt's Equipment Bed Cover!

Contact Merritt's Sales Team
for product information & release date.

800.525.0107

MPLT 2-23



1011 14th Street | Fort Lupton, CO 80621
merritt@merritproducts.com
800-525-0107 | MerrittProducts.com

800
MerrittPro