



Interchangeable Truck Body System

# 11' FLATBED SERVICE BODY



## FEATURES

- All Extruded 6005 T6 Alum Box Tube Construction
- T&G Extruded Alum Flooring
- Extruded Aluminum Headboard
- 3 Vertical Service Body Compartments per Side
- Rear Service Body Tailgate
- Powder Coated White
- Manual Master Lock System
- 2 Rows of E-Track Full Length

TO FIND A DEALER IN YOUR AREA



**Full Length E-Track**



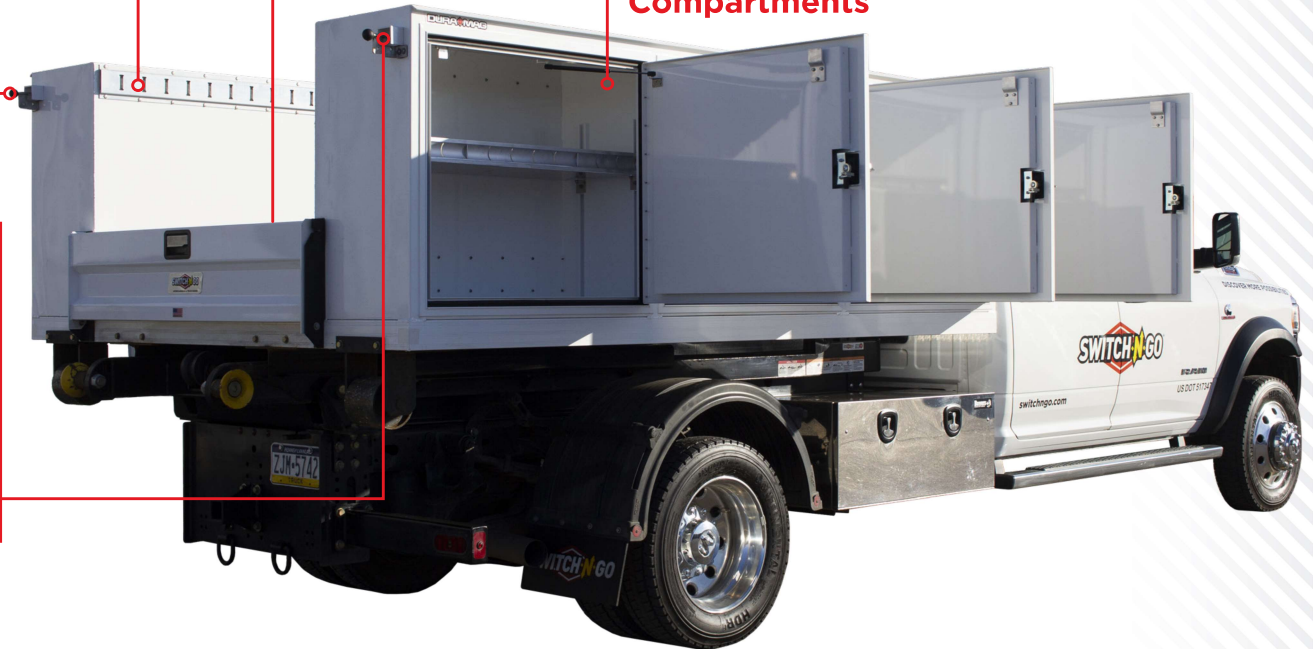
**D-Rings**



**Customizable Storage Compartments**



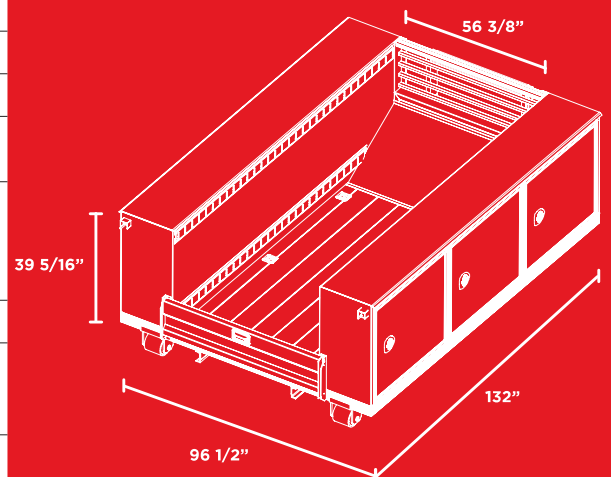
**Master Lock System**



## SPECIFICATIONS

### BODY DETAILS

<b>FLOOR</b>	T&G EXTRUDED ALUMINUM 102" LONG x 56 3/8" WIDE CENTER
<b>TAILGATE</b>	REAR SERVICE BODY TAILGATE
<b>LATCHES</b>	MANUAL MASTER LOCK SYSTEM
<b>COMPARTMENTS</b>	3 PER SIDE - 40 3/16" W x 34 7/16" T WELDED TO FLATBED FLOOR
<b>FLATBED CONSTRUCTION</b>	G-TUBE PERIMETER / 2x3.125 CROSS MEMBERS, 12" OC / 2x3.188 BOX TUBE LONG SILLS (GUSSETS EVERY 4' FROM FRONT TO BACK) / ALL EXTRUDED 6005 T6 ALUM / BOX TUBE CONSTRUCTION
<b>BULKHEAD</b>	EXTRUDED ALUMINUM HEADBOARD
<b>D-RINGS</b>	6 RECESSED STAINLESS STEEL D-RING, SPRING-LOADED, 4.4K LB RATING, EVENLY SPACED, 3 PER SIDE
<b>CARGO SECUREMENT</b>	2 ROWS OF E-TRACK FULL / CENTER BODY LENGTH



Specifications are subject to change without notice. For warranty information on this or any other Switch-N-Go® product please refer [switchngo.com/warranty](http://switchngo.com/warranty).