



Interchangeable Truck Body System

# MULCHMATE® BODY



## FEATURES

- Designed for use with MulchMate® DS1000 (Mulch Mate® DS1000 and Switch-n-Go® MulchMate® Body are sold separately)
- Retractable legs for off truck use and off season storage
- Curb Side Door for access to the front of the container
- High quality powder coating finish
- Available in 11' & 14' lengths

TO FIND A DEALER IN YOUR AREA

PARTNERSHIP WITH



Curbside Door



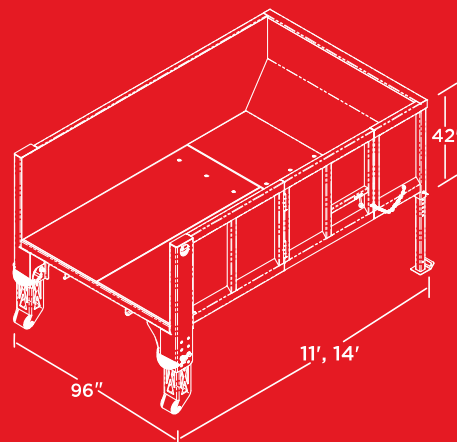
Retractable Legs



Compatible with MulchMate® DS1000

## SPECIFICATIONS

	11'	14'
FLOOR	10 GA	
SIDES	12 GA	
SIDE HEIGHT	42"	
LEGS	4 RETRACTABLE LEGS	
CROSSMEMBERS	FORMED AND INTEGRATED FOR ADDED STRENGTH	
CURB SIDE DOOR	52"W X 42" H WITH LATCHING MECHANISM AND SAFETY CHAIN	
REAR POSTS	1/4" THICK FOR ADDED STRENGTH	
SYSTEM COMPATIBILITY	11'	14'



Specifications are subject to change without notice. For warranty information on this or any other Switch-N-Go® product please refer [switchngo.com/warranty](http://switchngo.com/warranty).